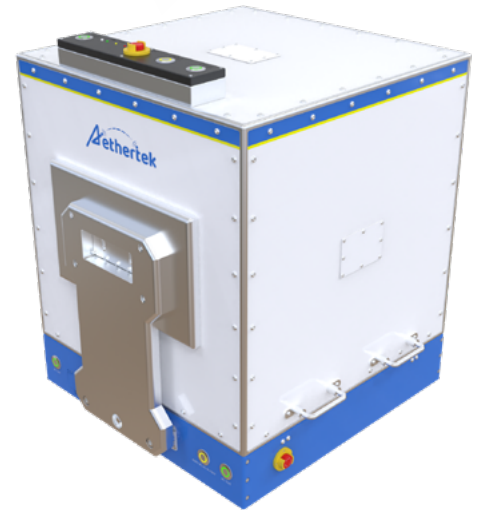


Features

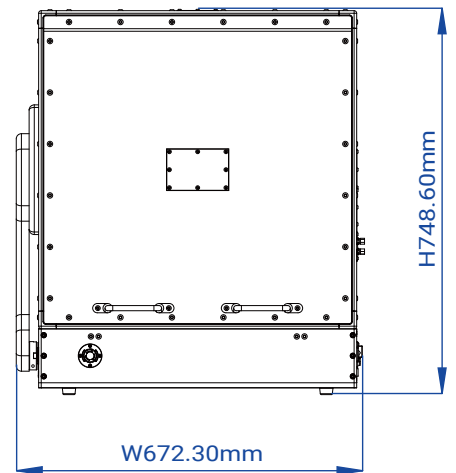
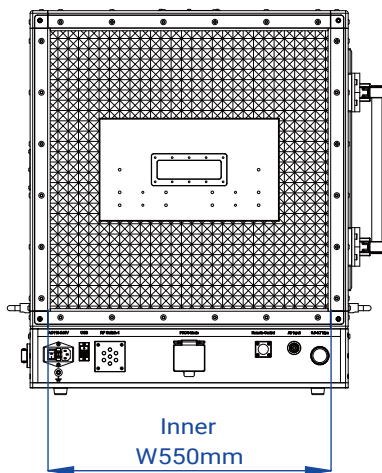
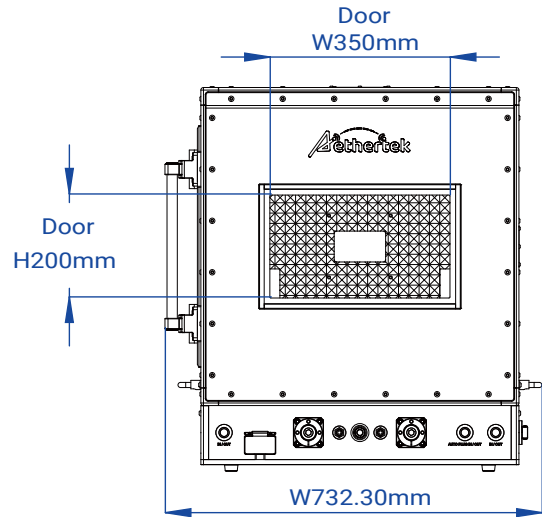
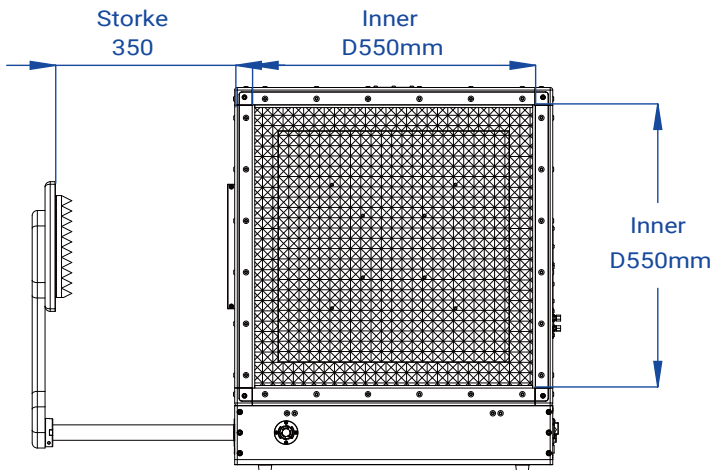
- Provide OTA test environment applying with optimized absorber in sub 6 GHz & mmWave band
- Shielding performance: >80dB between 0.5~ 40 GHz
- Custom I/O interface panel
- Various DUT interface module
- Pneumatic operation door can fulfill both automation & manual production line setup
- Operator anti-pitch detect



Mechanical Specifications

| Parameters | | |
|-----------------------|----------------------|-----------------|
| Line Voltage | 100~ 240VAC, 50/60Hz | |
| Input Air Pressure | 0.5~0.7Mpa | |
| Dimensions (LxWxH) | Inside | 550x550x550(mm) |
| | Outside | 732x672x748(mm) |
| Door size (WxH) | 350x200(mm) | |
| Door stroke | 350(mm) | |
| Weight | Approx. 50(kg) | |
| Far Field Distance | 10~ 200(mm) | |
| Absorber Reflectivity | <-30 dB | |

Dimension



RF Shielding

| Frequency | Shielding Effectiveness | Unit |
|----------------|-------------------------|------|
| 0.5 GHz~ 40GHz | >80 | dB |

Filter Type

| Connector | Isolation | Input voltage/ Current |
|-----------|---------------------|------------------------|
| USB 3.0 | -80dB | 5V/2A |
| USB 2.0 | | |
| RJ45 | | 5V/150mA |
| RS 232 | | 5V/200mA |
| AC | -80dB @0.5~50GHz | 250VAC/15A |
| DC | -80dB @0.5~50GHz | 35VAC/2A 50VDC/2A |

Absorber Specification

| 500MHz | 800MHz | 1Ghz | 2GHz | 4GHz | 8GHz | 12GHz | 18GHz | 40GHz |
|--------|--------|------|------|------|------|-------|-------|-------|
| -5 | -5 | -8 | -10 | -14 | -26 | -26 | -32 | -40 |

Ordering Guide

| Description | |
|-------------------|--------------------------|
| OTA Shielding Box | OTA shielding box, 1 set |
| | SMA-F connector, 6 set |
| | RJ45, 1 set |
| | 30mm Absorber Foam |