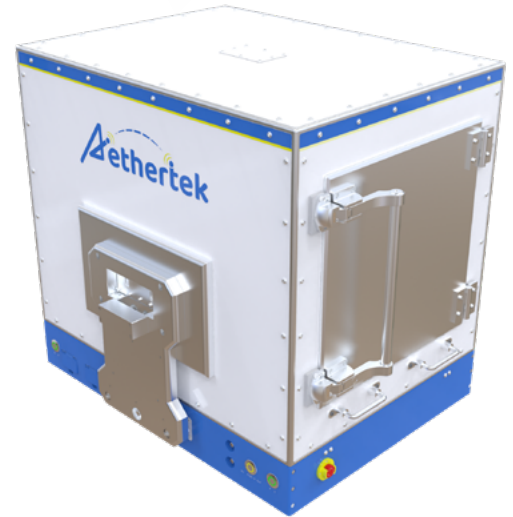


Features

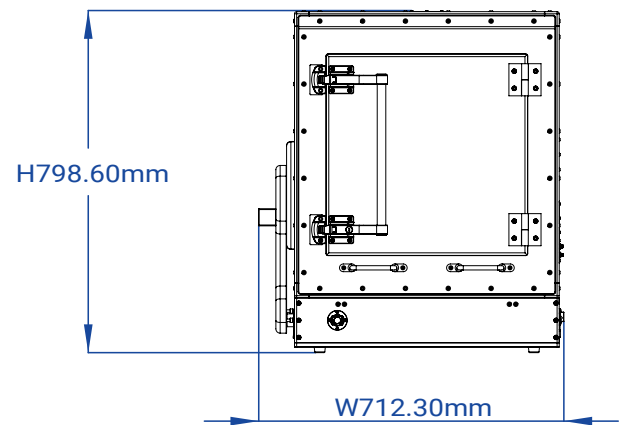
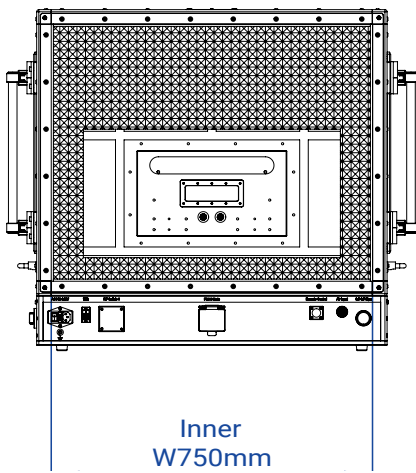
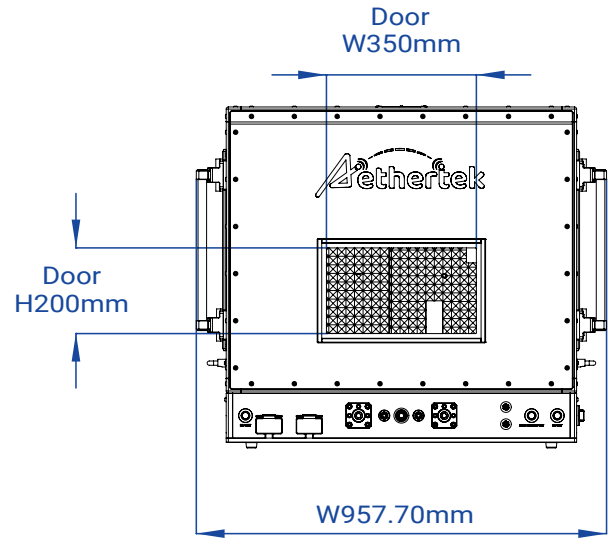
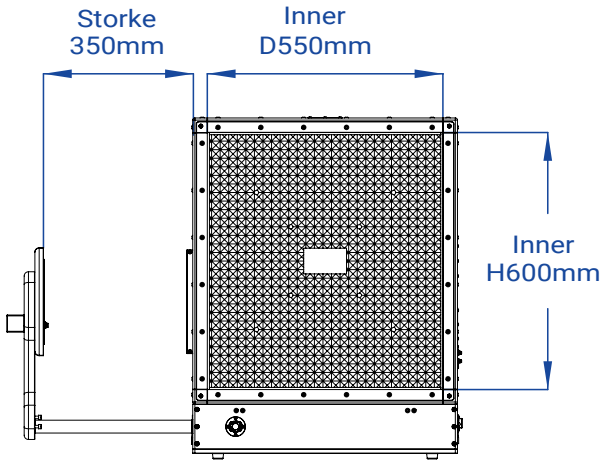
- Provide OTA test environment applying with optimized absorber in sub 6 GHz & mmWave band
- Shielding performance: >80dB between 0.5~ 40 GHz
- Custom I/O interface panel
- Various DUT interface module
- Pneumatic operation door can fulfill both automation & manual production line setup
- Operator anti-pitch detect



Mechanical Specifications

Parameters		
Line Voltage	100~ 240VAC, 50/60Hz	
Input Air Pressure	0.5~0.7Mpa	
Dimensions (LxWxH)	Inside	550x750x600(mm)
	Outside	712x957x798(mm)
Door size (WxH)	350x200(mm)	
Door stroke	350(mm)	
Weight	Approx. 130(kg)	
Far Field Distance	10~ 200(mm)	
Absorber Reflectivity	<-30 dB	

Dimension



RF Shielding

Frequency	Shielding Effectiveness	Unit
0.5 GHz~ 40GHz	>80	dB

Filter Type

Connector	Isolation	Input voltage/ Current
USB 3.0	-80dB	5V/2A
USB 2.0		
RJ45		5V/150mA
RS 232		5V/200mA
AC	-80dB @0.5~50GHz	250VAC/15A
DC	-80dB @0.5~50GHz	35VAC/2A 50VDC/2A

Absorber Specification

500MHz	800MHz	1Ghz	2GHz	4GHz	8GHz	12GHz	18GHz	40GHz
-5	-5	-8	-10	-14	-26	-26	-32	-40

Ordering Guide

Description	
OTA Shielding Box	OTA shielding box, 1 set
	SMA-F connector, 6 set
	RJ45, 1 set
	30mm Absorber Foam