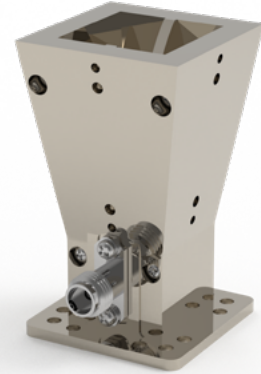


Features

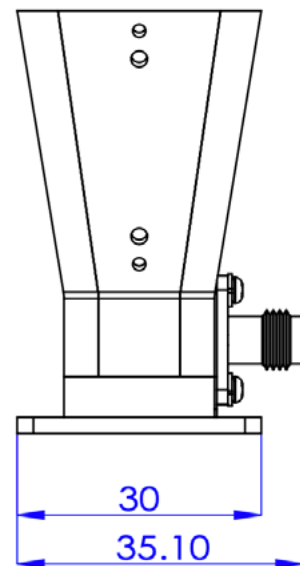
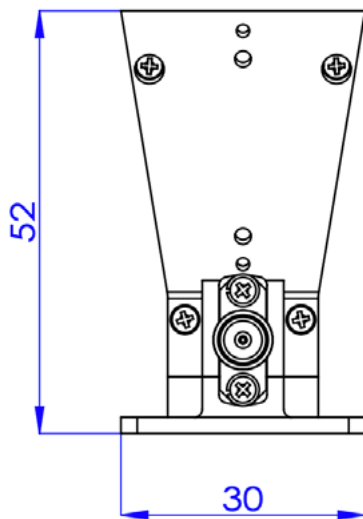
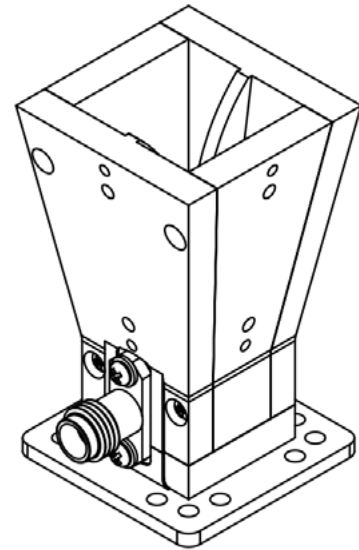
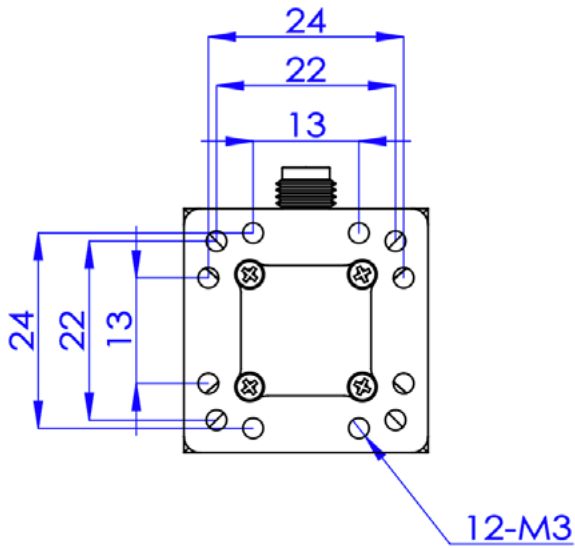
- Capable of Transmitter radiated power testing and Receiver sensitivity testing
- Wide bandwidth design for 5G FR2, operating frequency from 24GHz-50GHz
- Single polarization design for all kinds of incident wave receiving
- Compact size for compact shielding box



RF Performance

Model J	
Frequency range	24~50 GHz
Dimension	30x30x52 mm
VSWR	Typical <2 , Maximum 2.5
Antenna Gain	10.6dBi@24GHz 11.9dBi@28GHz 16.4dBi@43GHz 15.2dBi@48GHz
Polarization	Linear (Single Polarization)
Connector	SMA 2.4mm

Dimension



VSWR Measurement Result

