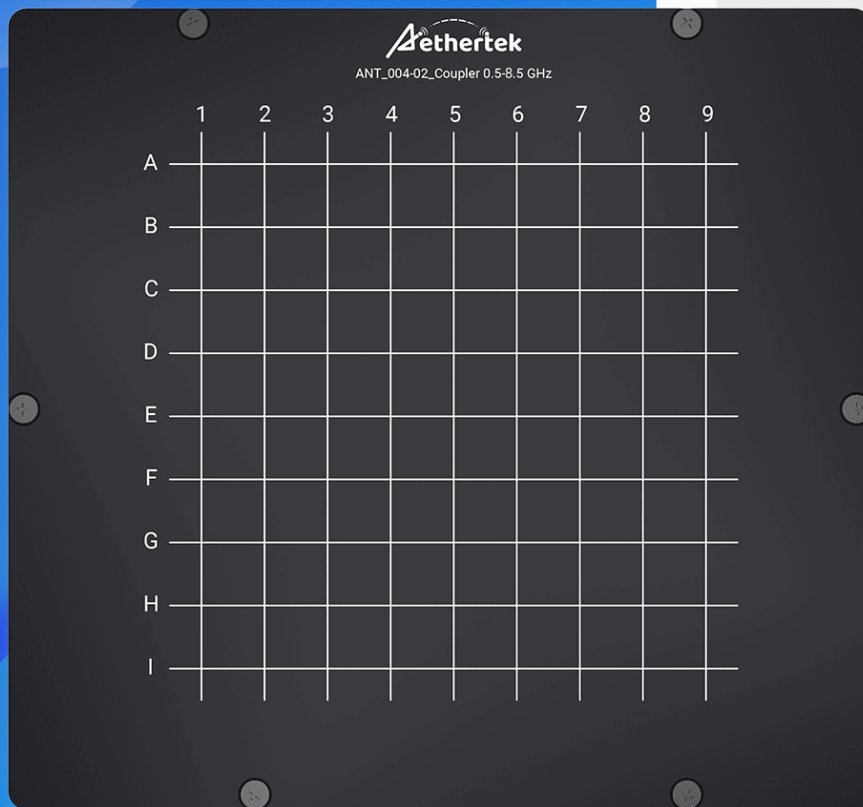




# Antenna Coupler

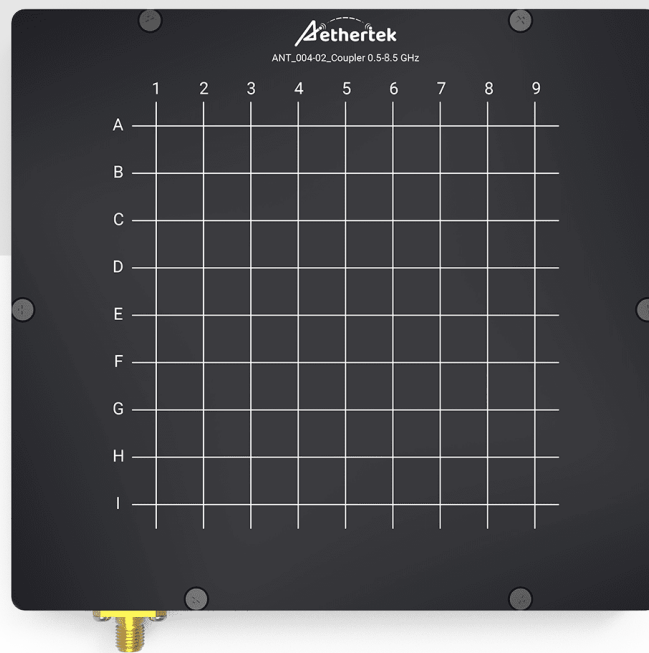
0.5-8.5 GHz



**DATA  
SHEET**

# Antenna Coupler

0.5-8.5 GHz



## 1. Features

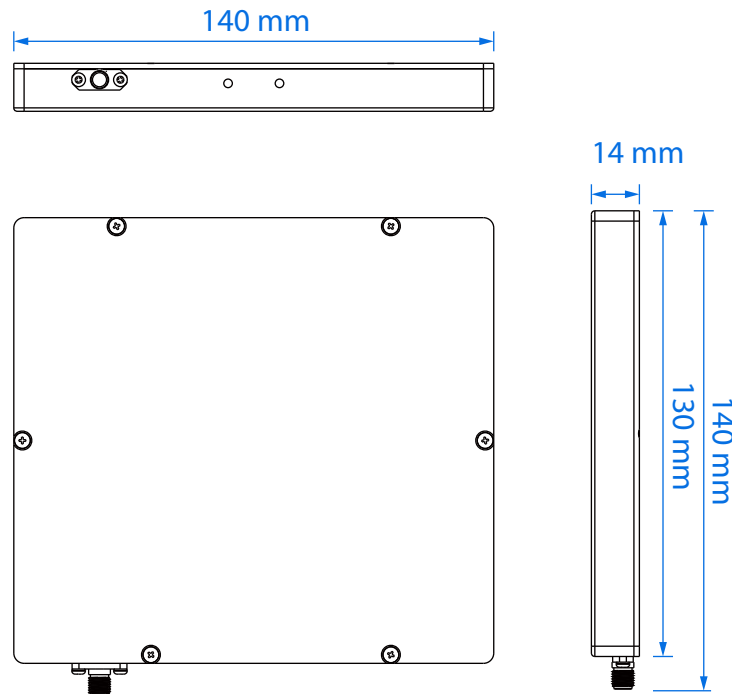
- Steady and effective RF coupling characteristics
- Capable of Transmitter radiated power testing and Receiver sensitivity testing
- Support wide bandwidth design for 5G FR1, 4G LTE, WLAN, Bluetooth
- Compact size for Aethertek's shielding box and fixture



## 2. Specifications

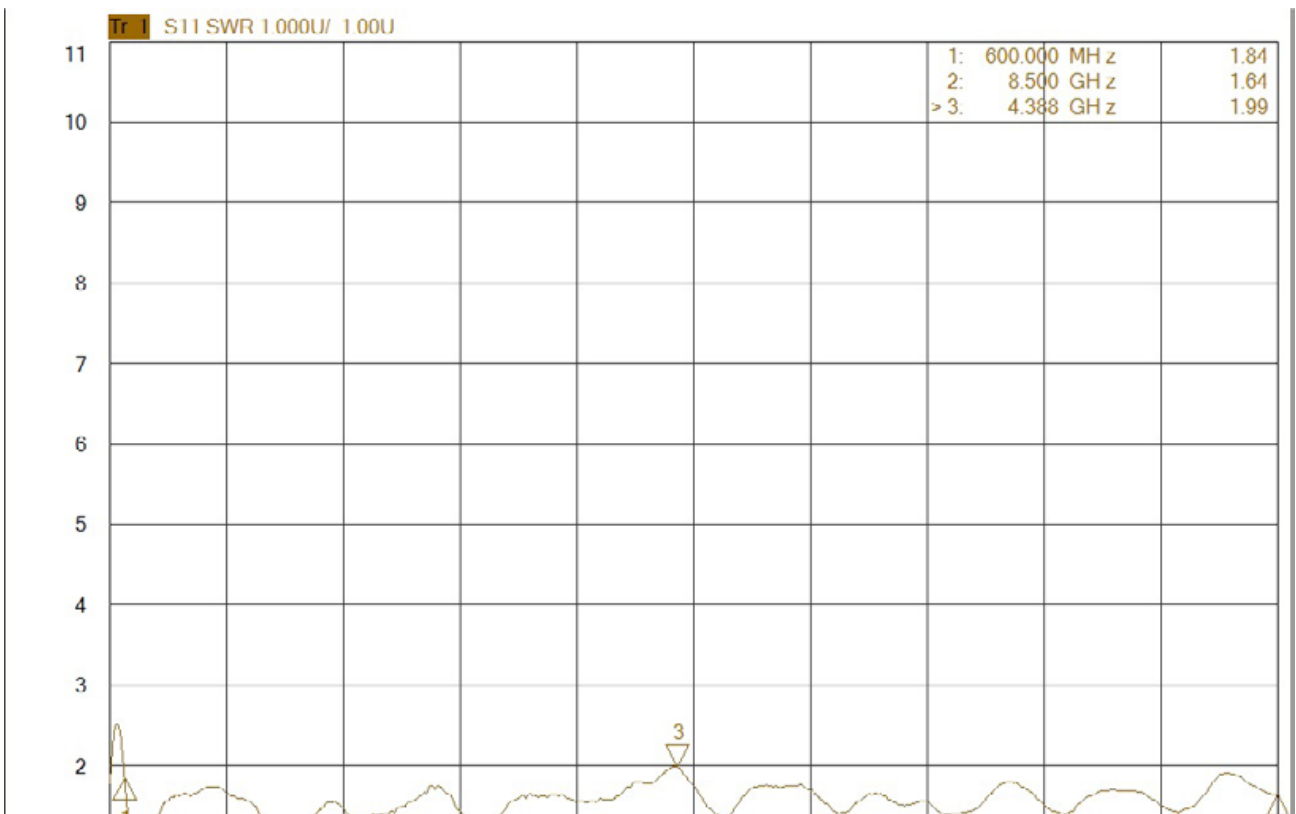
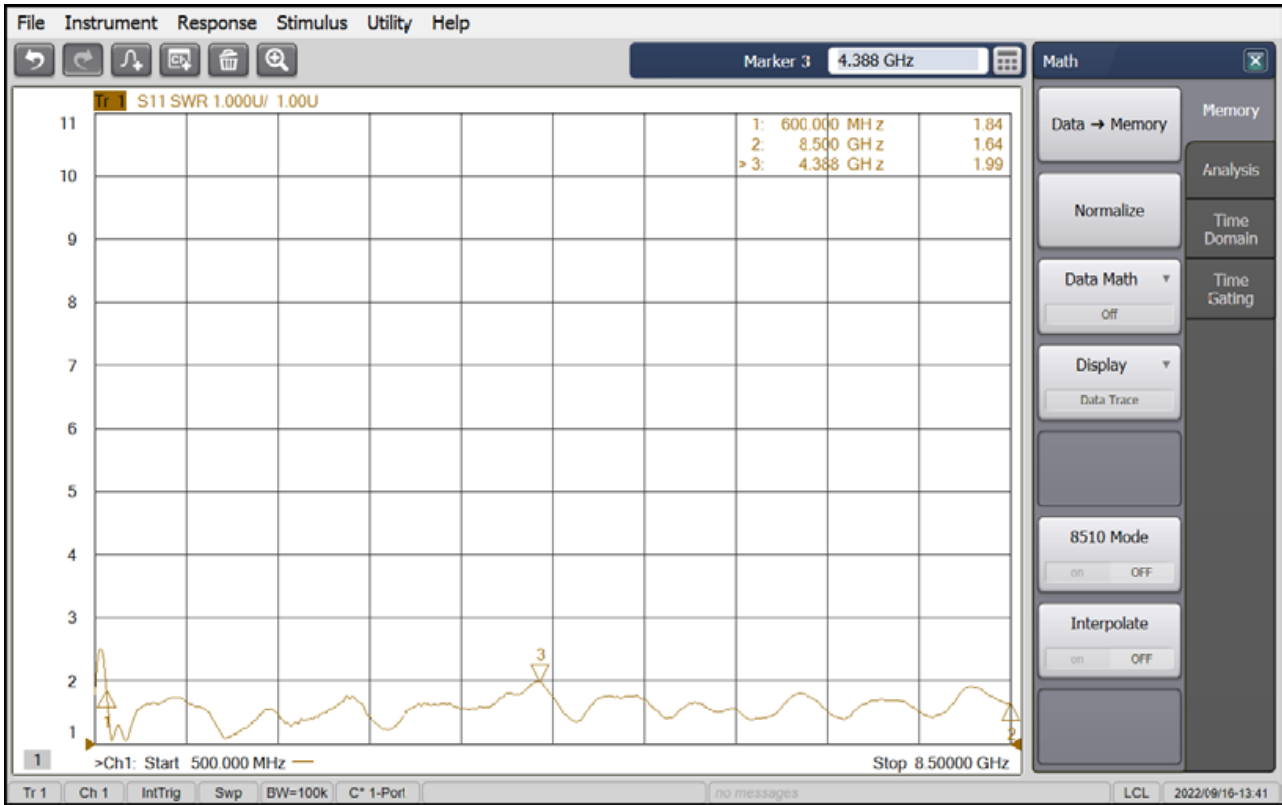
Specifications	
Operating Frequency	500~8500 MHz
VSWR	2:1 (Typical) Maximum 2.5 :1 @1.15 GHz
Impedance	50ohm
Dimension	(L)140mm x (W)130mm x (H)24mm
Weight	400g
RF Connector	SMA-F

## 3. Dimension





## 4. VSWR



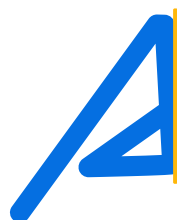
# Antenna Coupler

0.5-8.5 GHz



*DATA SHEET*

Contact us to experience our 5G innovative solutions!



✉ [contact@aether-tek.com](mailto:contact@aether-tek.com)

☎ +886-2-2658-2068

📍 9F No. 607, Ruiguang Rd., NeihuDist, Taipei City 114, Taiwan