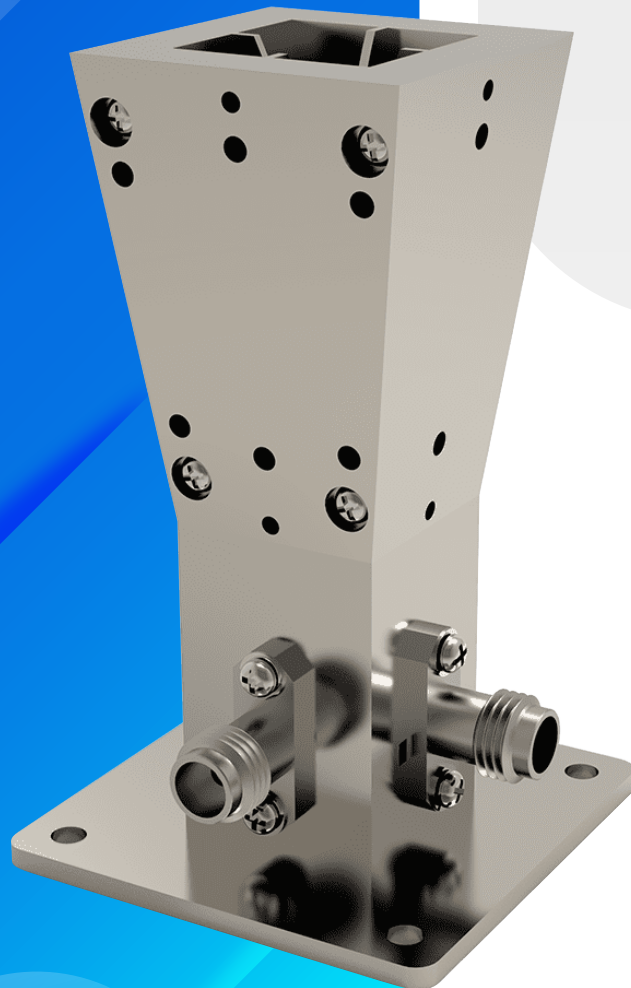




Horn Antenna C

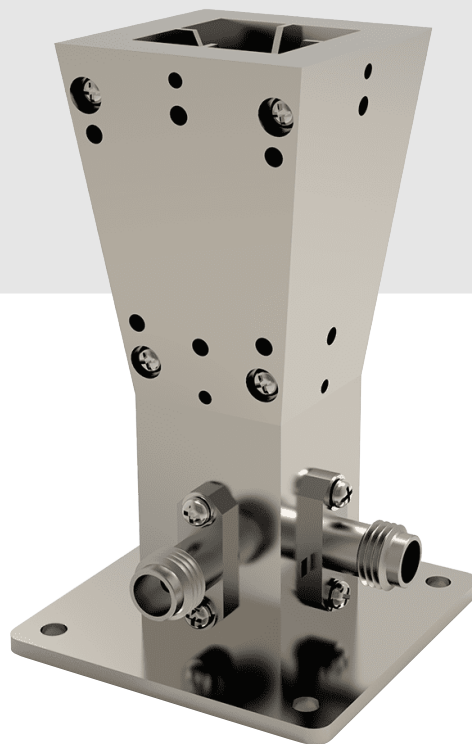
24.25 - 43.5 GHz



*DATA
SHEET*

Horn Antenna C

24.25 - 43.5 GHz



1. Features

- Capable of transmitter radiated power testing and receiver sensitivity testing
- Wide bandwidth design for 5G FR2, operating frequency from 24.25GHz-43.5GHz
- Dual polarization design for all kinds of incident wave receiving
- Compact size for compact shielding box



2. RF Performance

Model C	
Frequency range	24.25~43.5 GHz
Dimension	40x40x66 mm
VSWR	<2
Antenna Gain	10.1dBi@24GHz 15.5dBi@43GHz
Far Field Distance (from aperture)	16.7cm@43GHz
Isolation	>25dB
Polarization	Linear (V and H)
Connector	SMA 2.92



3. Dimension

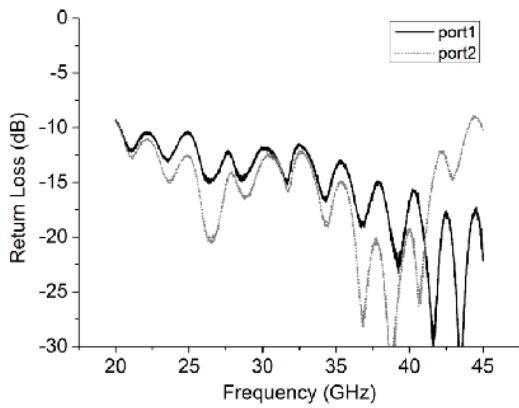
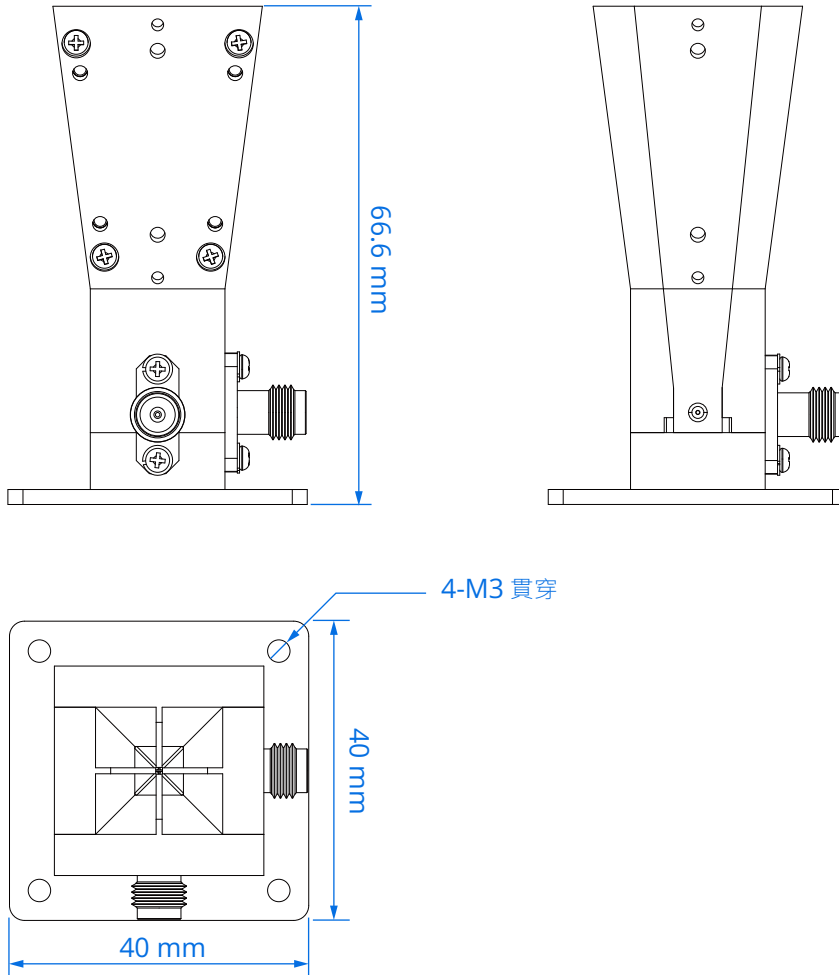


Figure 1. Return Loss

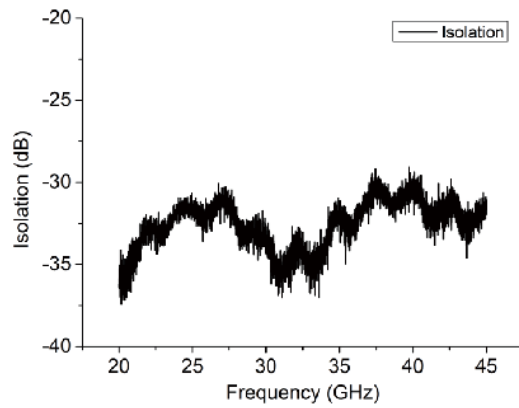


Figure 2. Isolation



2. Far Field Distance

Frequency (GHz)	Wavelength (mm)	Aperture Size (mm)	Far Field Distance (cm)	OTA Path Loss (dB)	Antenna Gain (dBi)
24.25	12.37	24	9.3	-37.04	9.4
26	11.54	24	10.0	-38.21	10.8
28	10.71	24	10.8	-39.5	10.5
29.5	10.17	24	11.3	-40.44	10.5
37	8.11	24	14.2	-44.33	14.7
39	7.69	24	15.0	-45.25	15.1
40	7.5	24	15.4	-45.7	14.8
41	7.32	24	15.8	-46.12	14.4
43.5	6.90	24	16.7	-47.15	16.1

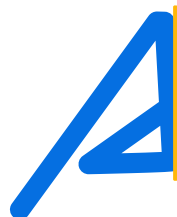
Horn Antenna C

24.25 - 43.5 GHz



DATA SHEET

Contact us to experience our 5G innovative solutions!



✉ contact@aether-tek.com

☎ +886-2-2658-2068

📍 9F No. 607, Ruiguang Rd., NeihuDist, Taipei City 114, Taiwan