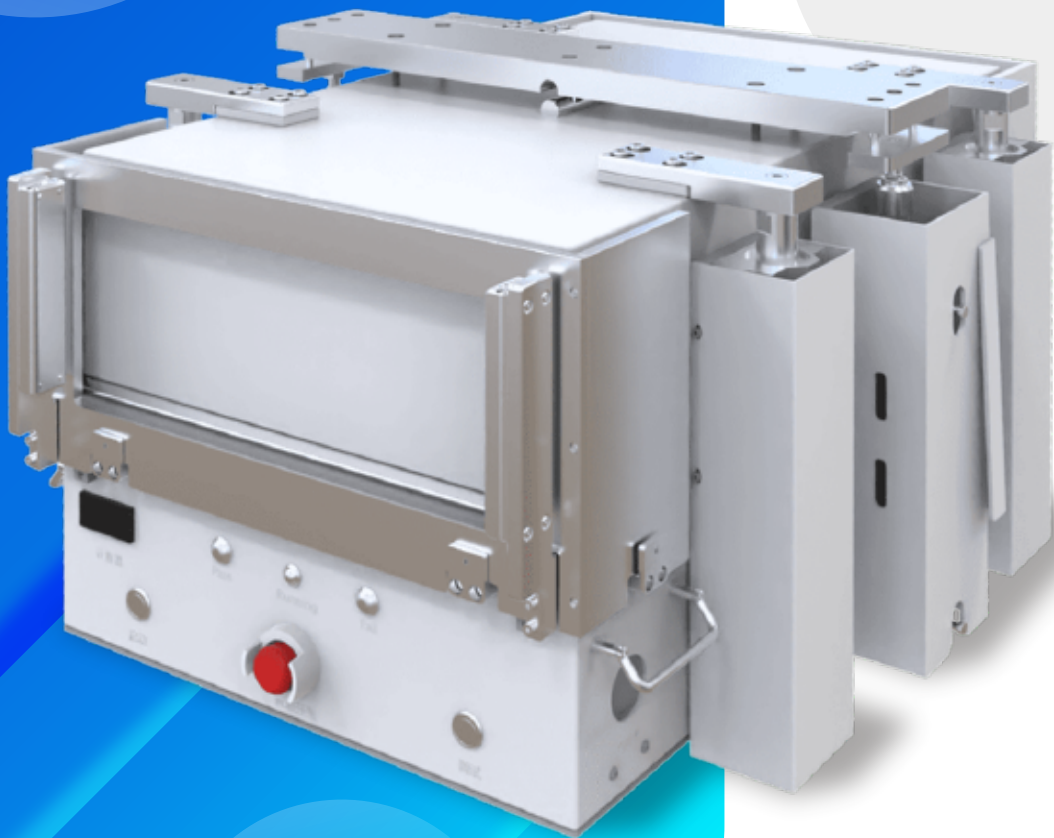




SBX-DON-S-270

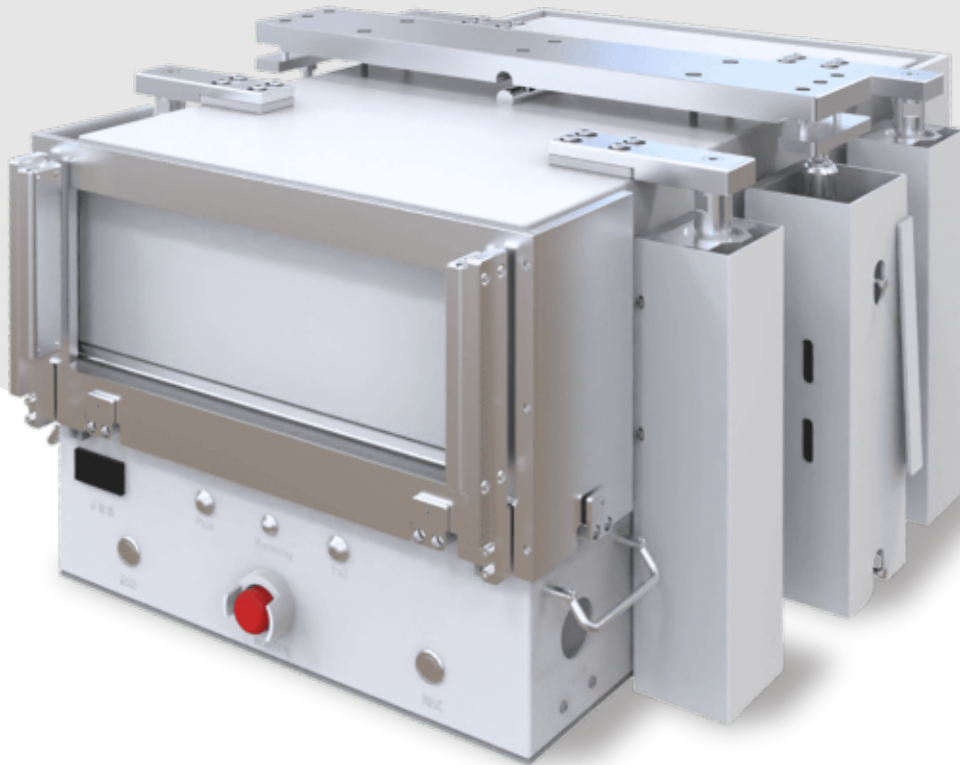
RF CONDUCTIVE SHIELDING BOX



***DATA
SHEET***

SBX-DON-S-270

RF CONDUCTIVE SHIELDING BOX



1. Features

- Shielding performance : >80dB between 100MHz ~ 6GHz
- Instrument integration capability with different setup configurations
- Pneumatic control of lid operation& Automatic fixture motions
- EMI filters on all data ports
- Remote operation by RS-232C
- LED light for pass / fail indication
- Lid down sensor for safety

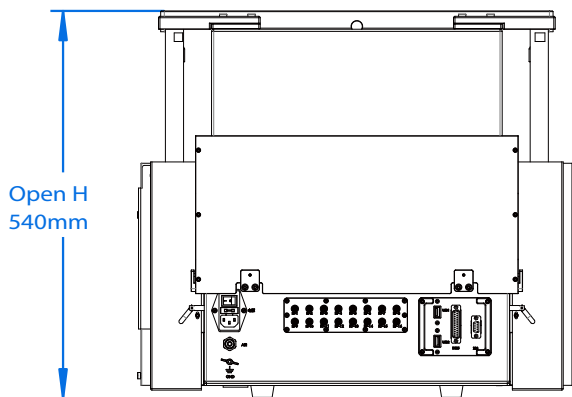
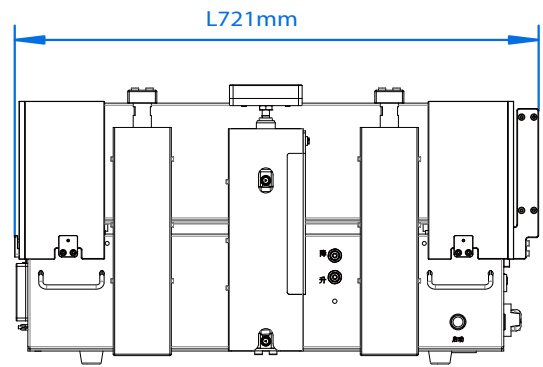
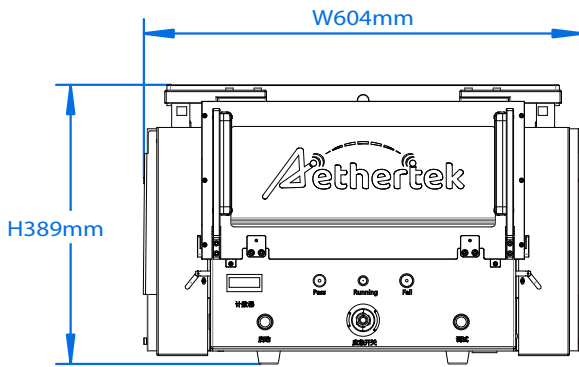


2. Mechanical Specifications

Parameters		
Line Voltage	100 ~ 240VAC, 50 / 60Hz	
Data Line Capacity	24VDC 3A (Max)	
Input Air Pressure	0.5MPa	
Dimensions (LxWxH)	Outside, Door Open	721x604x389 (mm), 721x604x540 (mm)
Weight	58 (kg)	



3. Dimension



4. RF Shielding

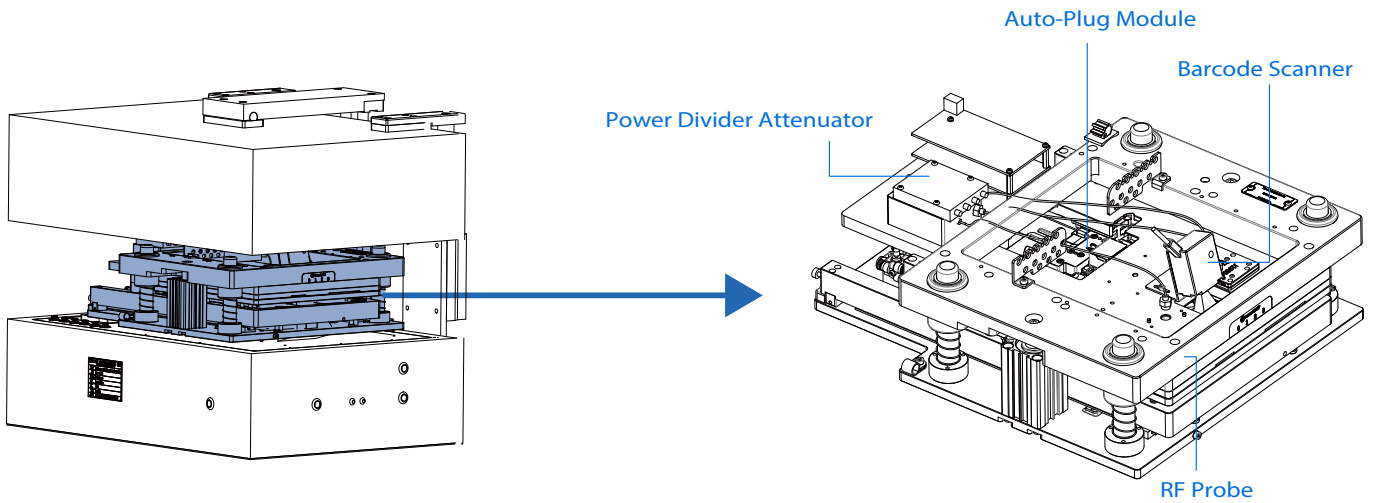
Frequency	Shielding Effectiveness	Unit
500MHz ~ 2000MHz	>80	dB
2000MHz ~ 3000MHz	>80	dB
3000MHz ~ 6000MHz	>80	dB



5. Ordering Guide

Description	
Conductive Shielding Box	RF shielding box, 1 set
	SMA-F connector, 8 set
	USB Connector, 2 set
	DB25 Pin, 1 set
	DB9 Pin, 2 set

6. RF Fixture



SBX-DON-S-270

RF CONDUCTIVE SHIELDING BOX



DATA SHEET

Contact us to experience our 5G innovative solutions!



✉ contact@aether-tek.com

☎ +886-2-2658-2068

📍 9F No. 607, Ruiguang Rd., NeihuDist, Taipei City 114, Taiwan