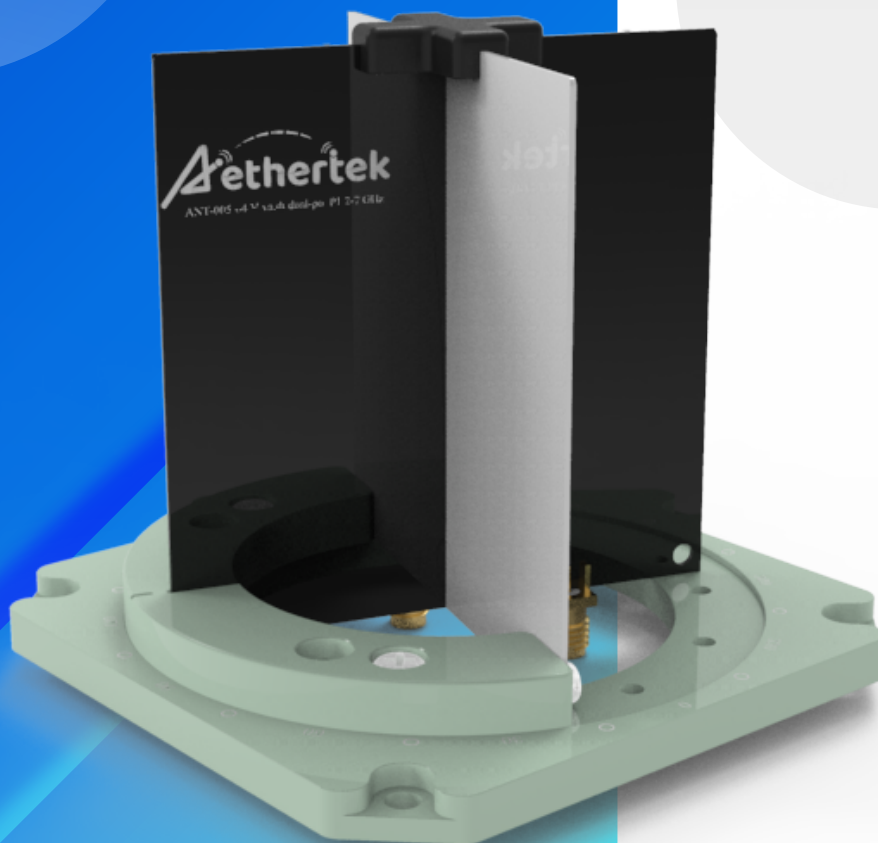




DPV-B

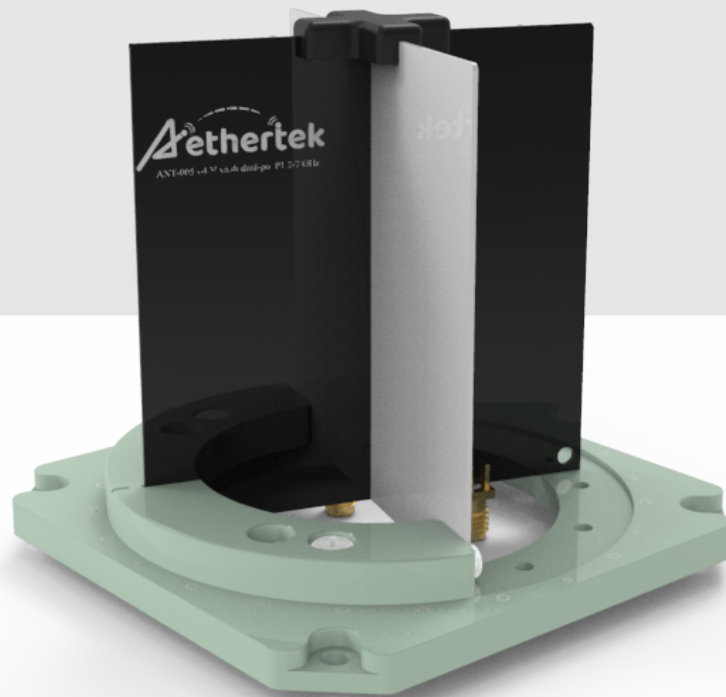
Dual-Pol Vivaldi Antenna



*DATA
SHEET*

DPV-B

Dual-Pol Vivaldi Antenna



1. Features

- Capable of transmitter radiated power testing and receiver sensitivity testing
- Wide bandwidth design for 5G FR1, 4G LTE, WLAN, Bluetooth, GPS, LoRa, Z-wave, Zigbee application
- Dual polarization design for all kinds of incident wave receiving
- Compact size for compact shielding box

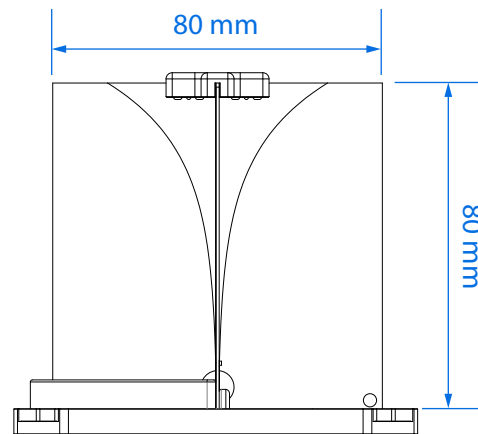
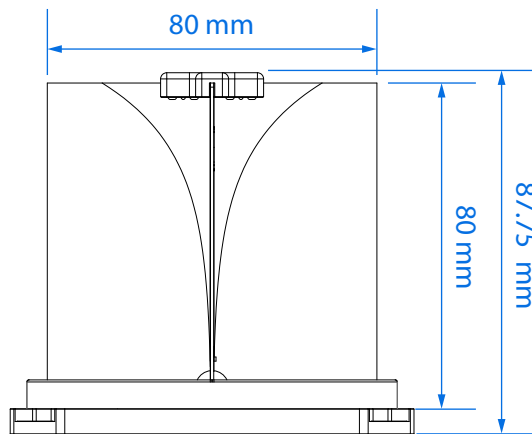
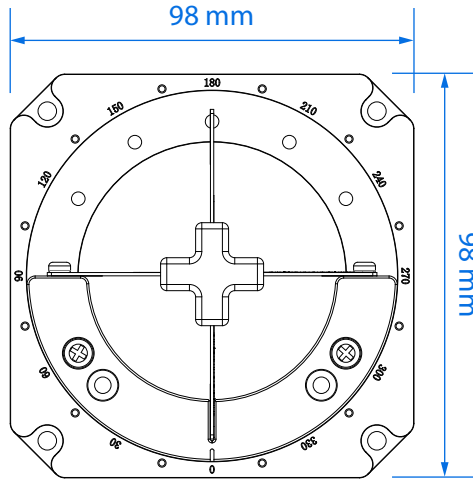


2. Specifications

Model	DPV-B
Operating Frequency	2GHz~8.2GHz
VSWR	2.5:1 (Typical, Maximum @2GHz)
Isolation	20dB @2GHz~8.2GHz
Polarization	Dual, Vertical and Horizontal
Impedance	50 Ohm
Dimension	L80mm x W80mm, thickness=0.8mm
RF Connector	SMA-F



3. Dimension



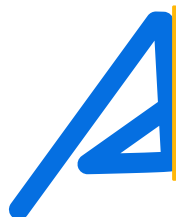
DPV-B

Dual-Pol Vivaldi Antenna



DATA SHEET

Contact us to experience our 5G innovative solutions!



✉ contact@aether-tek.com

☎ +886-2-2658-2068

📍 9F No. 607, Ruiguang Rd., NeihuDist, Taipei City 114, Taiwan