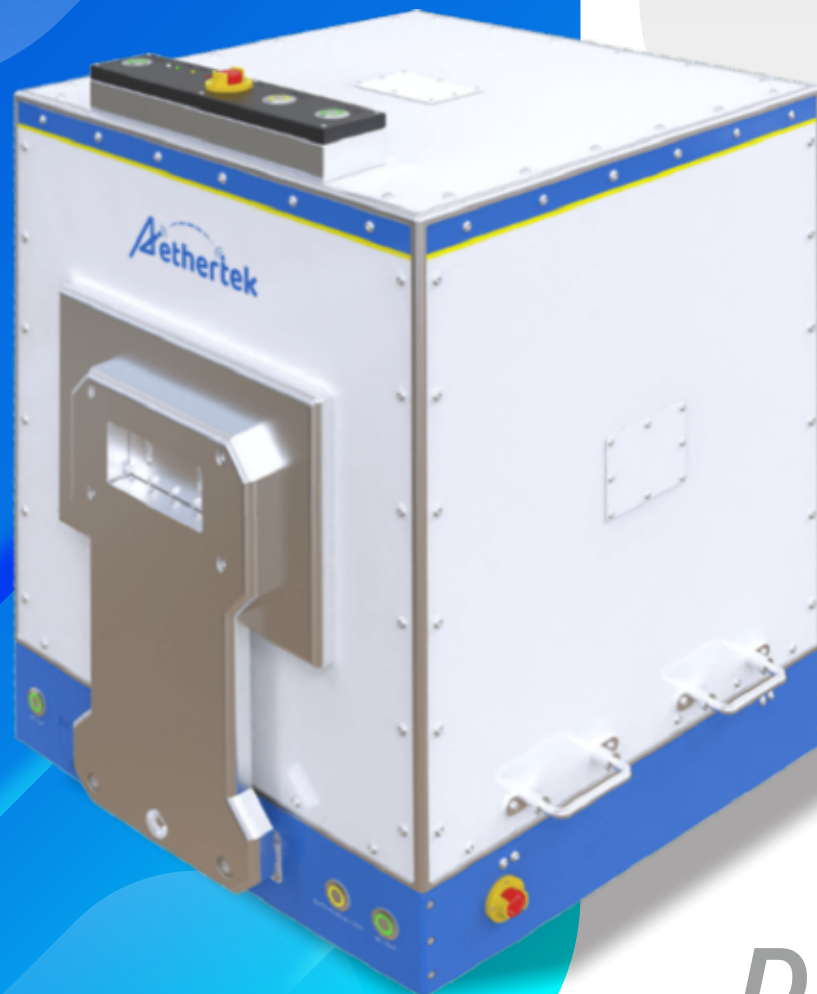




SBX-OTA-A-550

OTA SHIELDING BOX



***DATA
SHEET***

SBX-OTA-A-550

OTA SHIELDING BOX



1. Features

- Provide OTA test environment applying with optimized absorber in sub 6 GHz & mmWave band
- Shielding performance : >80dB between 0.5 ~ 40 GHz
- Custom I / O interface panel
- Various DUT interface module
- Pneumatic operation door can fulfill both automation & manual production line setup
- Operator anti-pitch detect

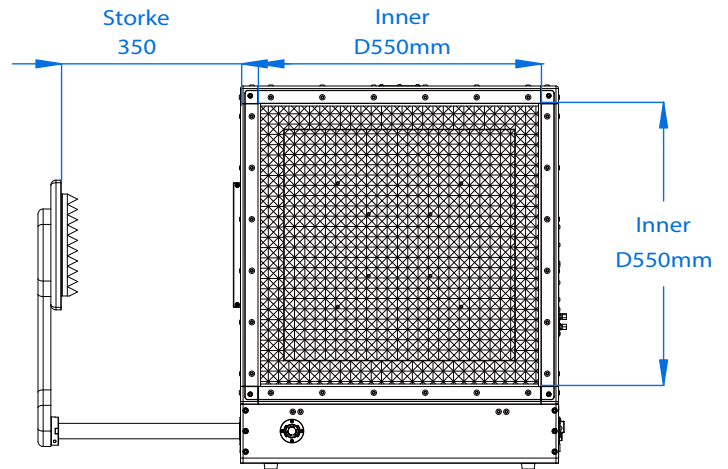
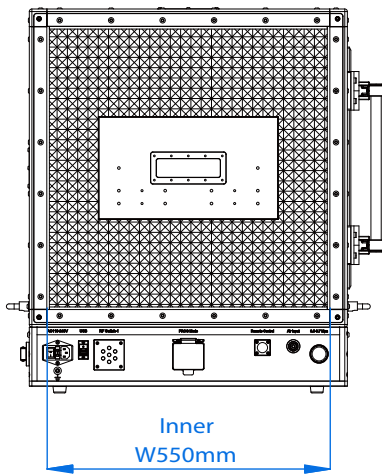
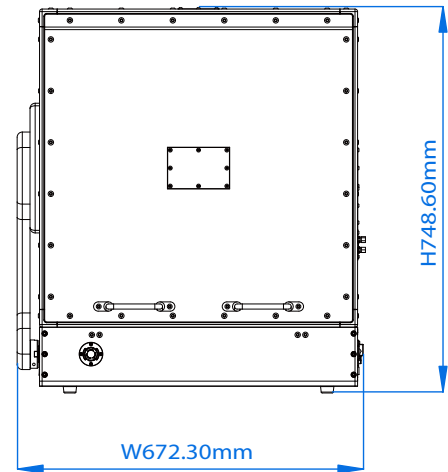
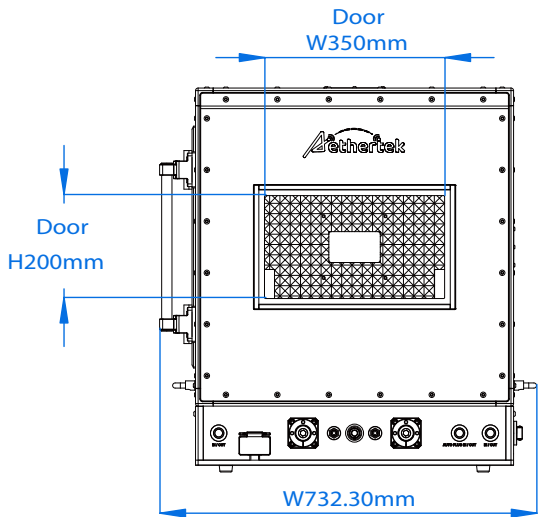


2. Mechanical Specifications

Parameters	
Line Voltage	100 ~ 240VAC, 50 / 60Hz
Input Air Pressure	0.5 ~ 0.7Mpa
Dimensions (LxWxH)	Inside 550x550x550 (mm)
	Outside 732x672x748 (mm)
Door size (WxH)	350x200 (mm)
Door stroke	350 (mm)
Weight	Approx. 50 (kg)
Far Field Distance	10 ~ 200 (mm)
Absorber Reflectivity	<-30 dB



3. Dimension



4. RF Shielding

Frequency	Shielding Effectiveness	Unit
0.5 GHz ~ 40GHz	>80	dB



5. Filter Type

Connector	Isolation	Input voltage/ Current	
USB 3.0	-80dB	5V / 2A	
USB 2.0			
RJ45		5V / 150mA	
RS 232		5V / 200mA	
AC		-80dB @0.5 ~ 50GHz	250VAC / 15A
DC		-80dB @0.5 ~ 50GHz	35VAC / 2A 50VDC / 2A

6. Absorber Specification

500MHz	800MHz	1Ghz	2Ghz	4Ghz	8Ghz	12Ghz	18Ghz	40Ghz
-5	-5	-8	-10	-14	-26	-26	-32	-40

7. Ordering Guide

Description	
OTA Shielding Box	OTA shielding box, 1 set
	SMA-F connector, 6 set
	RJ45, 1 set
	30mm Absorber Foam

SBX-OTA-A-550

OTA SHIELDING BOX



DATA SHEET

Contact us to experience our 5G innovative solutions!



✉ contact@aether-tek.com

☎ +886-2-2658-2068

📍 9F No. 607, Ruiguang Rd., NeihuDist, Taipei City 114, Taiwan